

Parkland Combination – 2 Bench

EM045



EMERDYN

02 9534 1314

sales@emerdyn.com.au



EM045 shown as standard

Standard Specifications:

- Length: 1800mm
- Battens: hardwood timber, oiled (165 x 30 & 63 x 30mm)
- Frame: 32NB galvanised steel pipe
- Finish: natural galvanised steel
- Fixture: freestanding

Options:

- Battens: custom anodised aluminium 250 x 50mm or 63 x 30mm & custom cast aluminium end caps, composite
- Benches: additional end benches (830mm long)
- Umbrella Hole: axle & support bracket
- Frame: aluminium plank end caps
- Finish: powder coated
- Fixture: Mounting options available: freestanding, surface (with 4 x EM610 saddles priced separately), inground (extended pipe attached for cementing), sub-surface (extended pipe and baseplate attached for bolt down below surface)
- Flat Pack: sent as components for economical transport

Option examples:



EM045 with aluminium plank option



EM045 with composite timber and powder coated frame options



EM045-EXT with aluminium plank, 4-bench and powder coated end cap options (2.7m L)

Parkland Combination

EM045

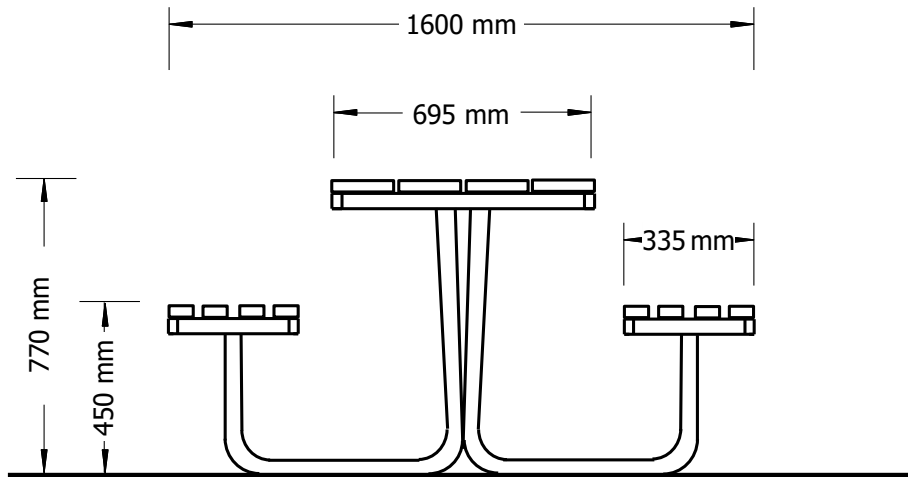


EMERDYN

02 9534 1314

sales@emerdyn.com.au

Dimensions



Aluminium Plank version varies: ~760 wide table & 250 wide benches